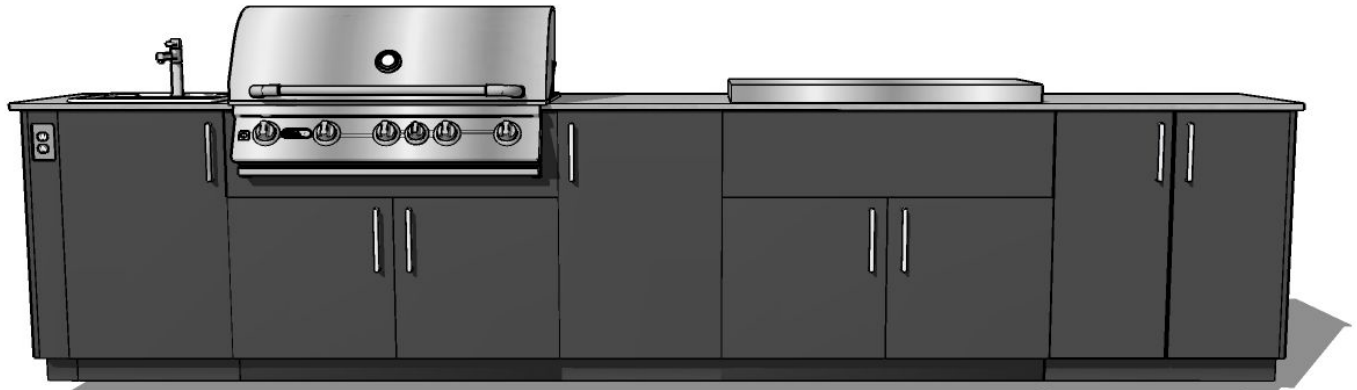
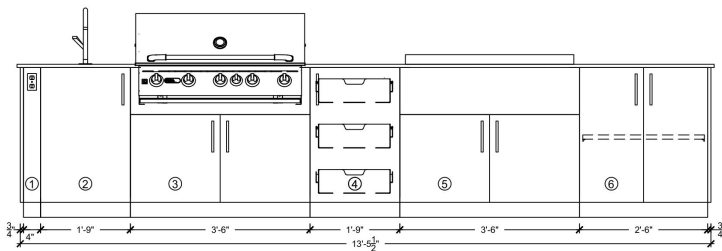


URBAN
Bonfire[™]
 URBAIN

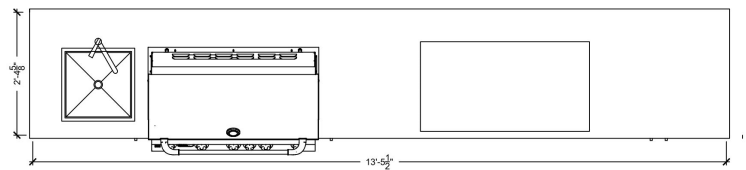


EVERY URBAN BONFIRE[™] OUTDOOR KITCHEN DESIGN INCLUDES:

- Thick Marine Grade Aluminum Construction
- Full Interior and Exterior Electrostatic Powder Coating
- Adjustable Commercial Grade 304 Stainless Steel Leveling Legs
- Matching Powder Coated Integrated Self-Leveling Toe Kick
- Compatibility with all Major Grill Brands and Outdoor Cooking Accessories
- Compatibility with Dekton, Sensa and Most Outdoor Countertop Surfaces
- 304 Stainless Steel Handles and Interior Hardware
- Ten-Year Limited Warranty



SO261 OUTDOOR KITCHEN ELEVATION



SO261 OUTDOOR KITCHEN PLAN

↔ 161.5"

Print Name: _____

Client Signature: _____

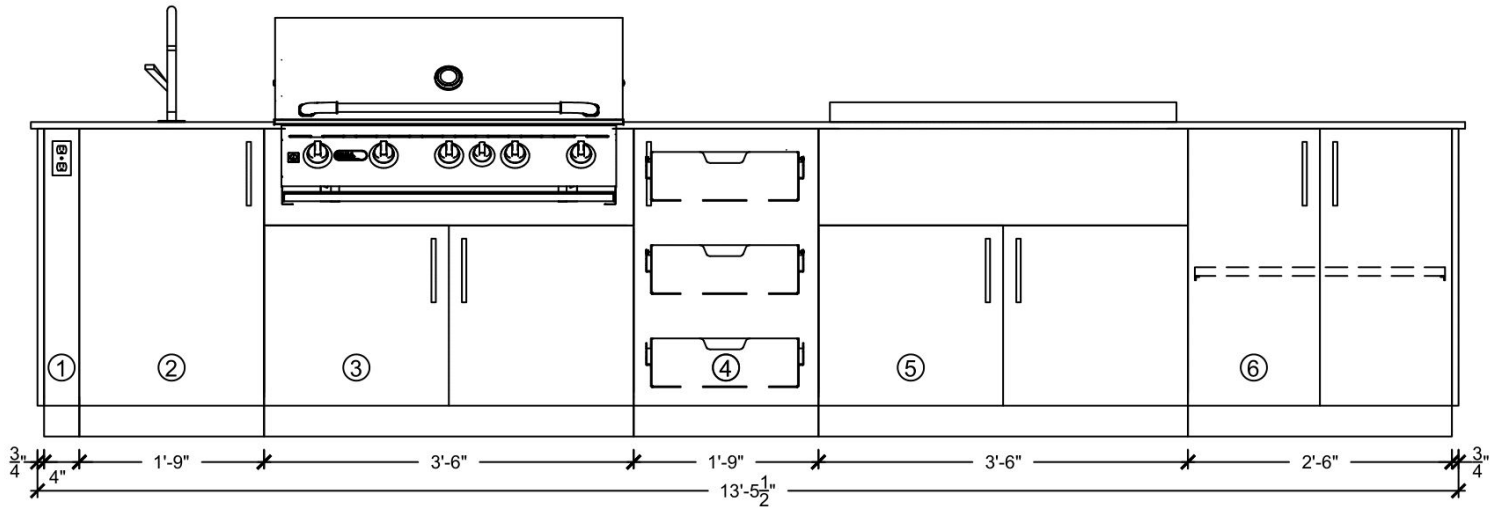
Date: _____

↕ 28.625"

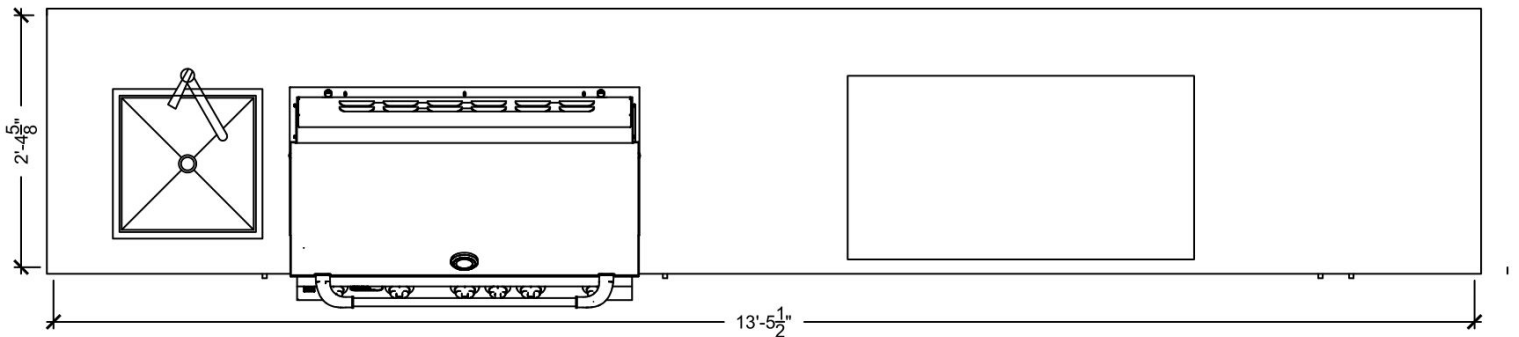
DESIGN CONSIDERATIONS:

- Powder Coating: Anthracite
- Handle Model: Stainless steel
- Side Panels: 28.625"
- Back panels Included: No
- Countertop Thickness: 3/4"
- Appliances: BBQ Bull 38", Plancha planet griddle 39 3/8"
- Gas Type: N/A

DESIGN SO261
 POOL HOUSE (MASDORS)



SO261 OUTDOOR KITCHEN ELEVATION



SO261 OUTDOOR KITCHEN PLAN

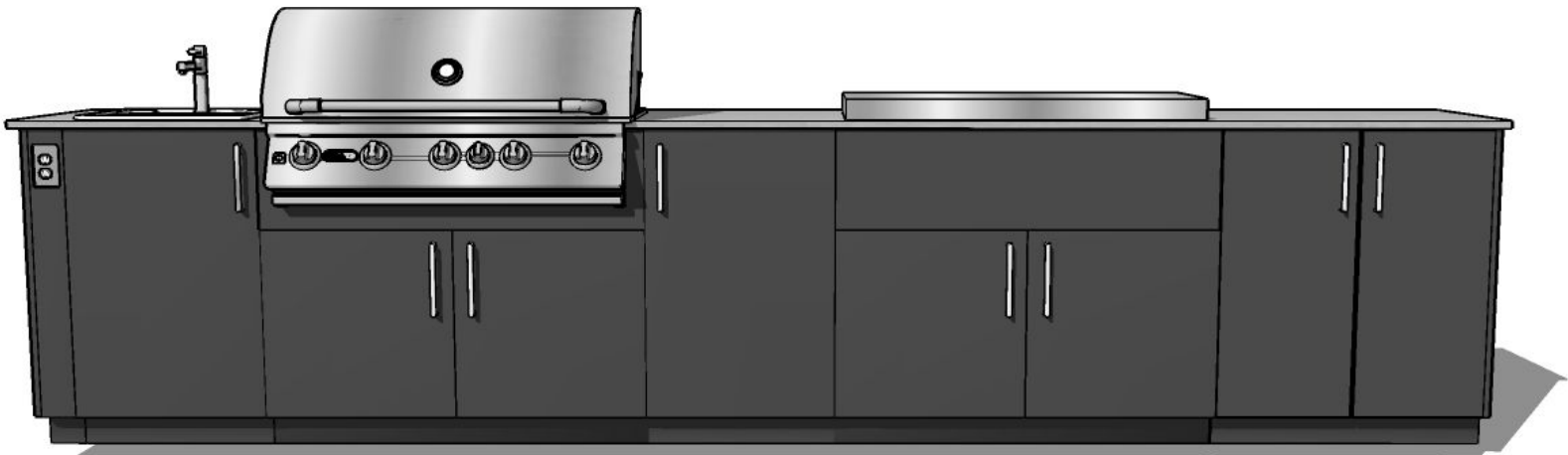
APPROVED BY: _____

DATE: _____

COUNTERTOP AND EQUIPMENT INCLUDED FOR AESTHETIC PURPOSES ONLY. NOT INCLUDED IN QUOTE.
 MEASUREMENTS DO NOT INCLUDE COUNTERTOP NOSING.

URBAN
Bonfire[™]
URBAIN

DESIGN SO261
POOL HOUSE (MASDORS)



APPROVED BY:

DATE:

COUNTERTOP AND EQUIPMENT INCLUDED FOR AESTHETIC PURPOSES ONLY. NOT INCLUDED IN QUOTE.
POWDER COATING COLORS DIGITALLY RENDERED. ACTUAL PRODUCT MAY VARY.

Masdors, Richard Mas
 La Croix 6
 1418 Vuarrens
 Switzerland

SO261

Project Name: Pool House **Quotation Date:** 07/25/2019 17:01:11 **Salesperson:** RFQ **Expiration Date:** 08/24/2019 **Client PO#:**

DESCRIPTION	QUANTITY
Cabinet 1	
A-ENDP28-BF4 (Anthracite) Standard finish end panel for A-BF4. Thick marine grade aluminum construction. Includes self leveling toe kick and choice of powder coating.	1.000
A-BF4-LH (Anthracite) 4" Plug cabinet. Includes waterproof plug box and cover. Subject to local codes. Wiring and outlet to be supplied by certified local trade. LEFT	1.000
Cabinet 2	
A-BF21-S-LH (Anthracite) 21" Base storage cabinet. Thick marine grade aluminum construction. All 304 stainless steel hardware. Includes self leveling toe kick, choice of powder coating and solid 304 stainless steel round handles. LEFT HINGE.	1.000
[H-BF21-SS] H-BF21-SS A-BF21 Standard handle: Solid 304 stainless steel round	1.000
Cabinet 3	
A-GB42-11 (Anthracite) 42" Grill base cabinet. Thick marine grade aluminum construction. All 304 stainless steel hardware. Includes self leveling toe kick, choice of powder coating and solid 304 stainless steel round handles.	1.000
<i>Trim kit for BBQ Bull Brahma grill, cut out 38 1/2"W X 21"D X 9 1/2"H</i>	
[H-GB42-SS] H-GB42-SS A-GB42 Standard handle: Solid 304 stainless steel round	1.000
Cabinet 4	
A-BF21-U-RH (Anthracite) 21" Utility base storage cabinet with modular keyhole track system for accessories. Thick marine grade aluminum construction. All 304 stainless steel hardware. Includes self leveling toe kick, choice of powder coating and solid 304 stainless steel round handles. RIGHT HINGE.	1.000
A-DR21 (Anthracite) Heavy duty drawer accessory for A-BF21-U. Thick marine grade aluminum construction. All 304 stainless steel hardware. Includes choice of powder coating.	3.000
[H-BF21-SS] H-BF21-SS A-BF21 Standard handle: Solid 304 stainless steel round	1.000
Cabinet 5	
A-GB42-11 (Anthracite) 42" Grill base cabinet. Thick marine grade aluminum construction. All 304 stainless steel hardware. Includes self leveling toe kick, choice of powder coating and solid 304 stainless steel round handles.	1.000

DESCRIPTION	QUANTITY
<i>Trim kit for plancha planet OASI 40 35/64" W X 22 3/64"D X 7 7/8"H</i>	
[H-GB42-SS] H-GB42-SS A-GB42 Standard handle: Solid 304 stainless steel round	1.000
Cabinet 6	
A-BF30-U (Anthracite) 30" Utility base storage cabinet with modular keyhole track system for accessories. Thick marine grade aluminum construction. All 304 stainless steel hardware. Includes self leveling toe kick, choice of powder coating and solid 304 stainless steel round handles.	1.000
A-SHELF30 (Anthracite) 30" Fixed shelf for BF30-U cabinet. Adjustable height. Thick marine grade aluminum construction. Includes self leveling toe kick and choice of powder coating.	1.000
[H-BF30-SS] H-BF30-SS A-BF30 Standard handle: Solid 304 stainless steel round	1.000
A-ENDP28-STD (Anthracite) Standard finish end panel. Thick marine grade aluminum construction. Includes self leveling toe kick and choice of powder coating.	1.000

Personalize

We offer a curated selection of colors, hardware design, accessories and material options to allow for full creativity in the layout, functionality and appearance of every custom kitchen.

Handles



STAINLESS
(INCLUDED)

Solid Bronze *Upgrades*



PULL
(341)



URBAN
(337)



BAUHAUS
(3312)

Powder Coating & Colors



ONYX



ANTHRACITE



ARTESAN



CHANTILLY

Solid Bronze Handle Finish Options



WHITE BRONZE (WL)



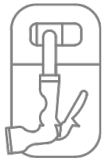
BLACK BRONZE (BZ)



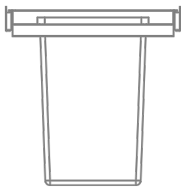
LIGHT BRONZE (LT)

Cabinet Interiors

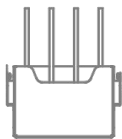
Designed to maximize both the space and functionality of each cabinet, our universal track system integrates seamlessly with fixed shelves, Kamado accessory racks, pull-out drawers, a retractable garden hose and a garbage/recycling system.



RETRACTABLE GARDEN HOSE



GARBAGE/RECYCLING SYSTEM



KAMADO ACCESSORY RACK



FIXED SHELVES



PULL-OUT DRAWERS

RETRACTABLE GARDEN HOSE



KAMADO ACCESSORY RACK



FLUSH MOUNT DRAWERS



GARBAGE/RECYCLING SYSTEM



FIXED SHELVES



PULL-OUT DRAWERS

