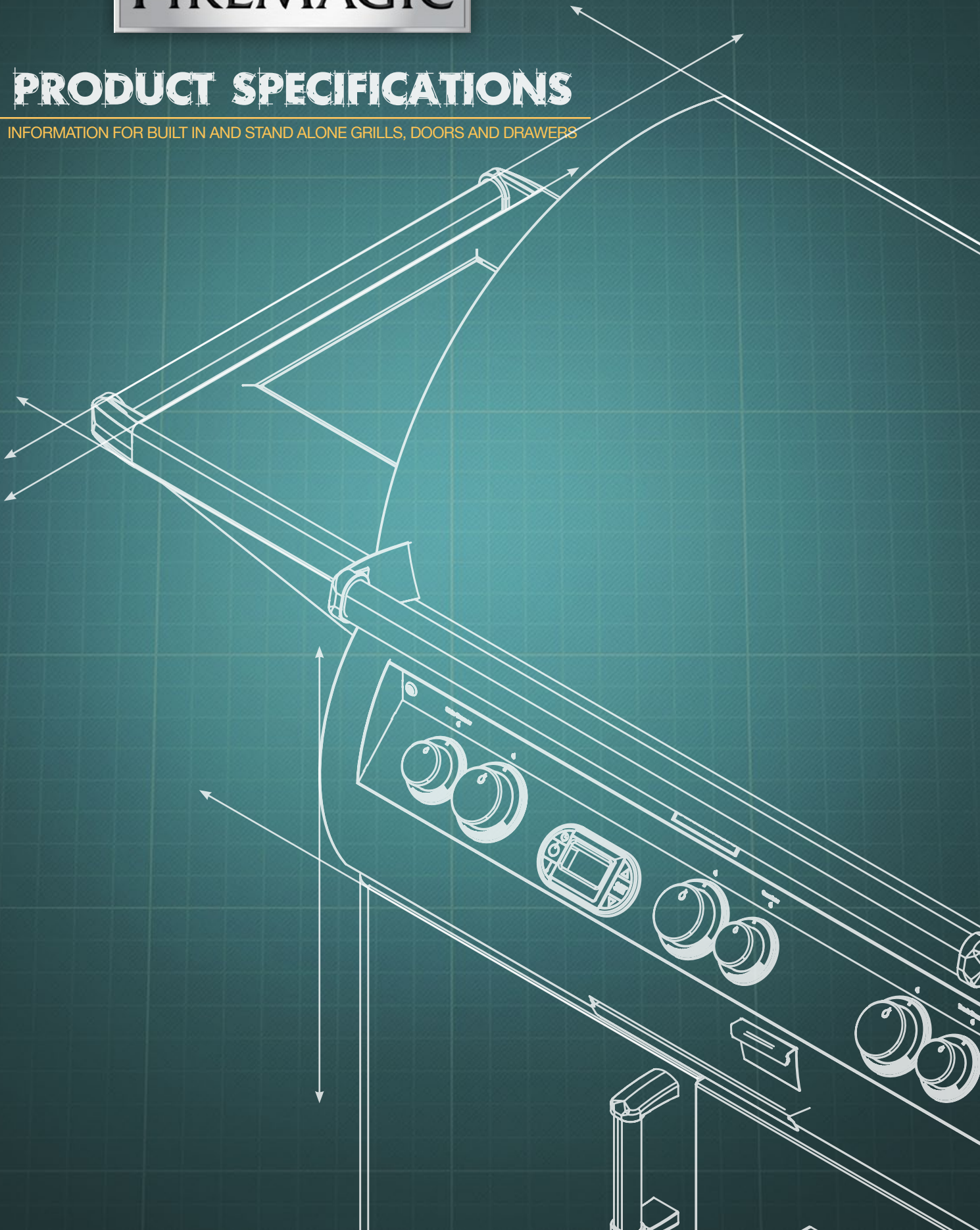




PRODUCT SPECIFICATIONS

INFORMATION FOR BUILT IN AND STAND ALONE GRILLS, DOORS AND DRAWERS



ALL DIMENSIONS ARE IN CENTIMETERS

DESCRIPTION	HOOD	
	OPEN	CLOSED
	A	B
Echelon E1060i	90,47cm	67,95cm
Echelon E790i	90,47cm	67,95cm
Echelon E660i	90,47cm	67,95cm
Aurora 790i	91,14cm	67,01cm
Aurora A660i	81,92cm	63,5cm
Aurora A540i	81,92cm	63,5cm
Aurora A530i	81,92cm	63,5cm
Aurora A430i	81,92cm	63,5cm
Deluxe 11-S	76,2cm	63,80cm
32" Gourmet Charcoal 14-S1	80,65cm	82,55cm
26" Gourmet Charcoal 12-S1	80,65cm	82,55cm

OUTDOOR KITCHEN CONSIDERATIONS

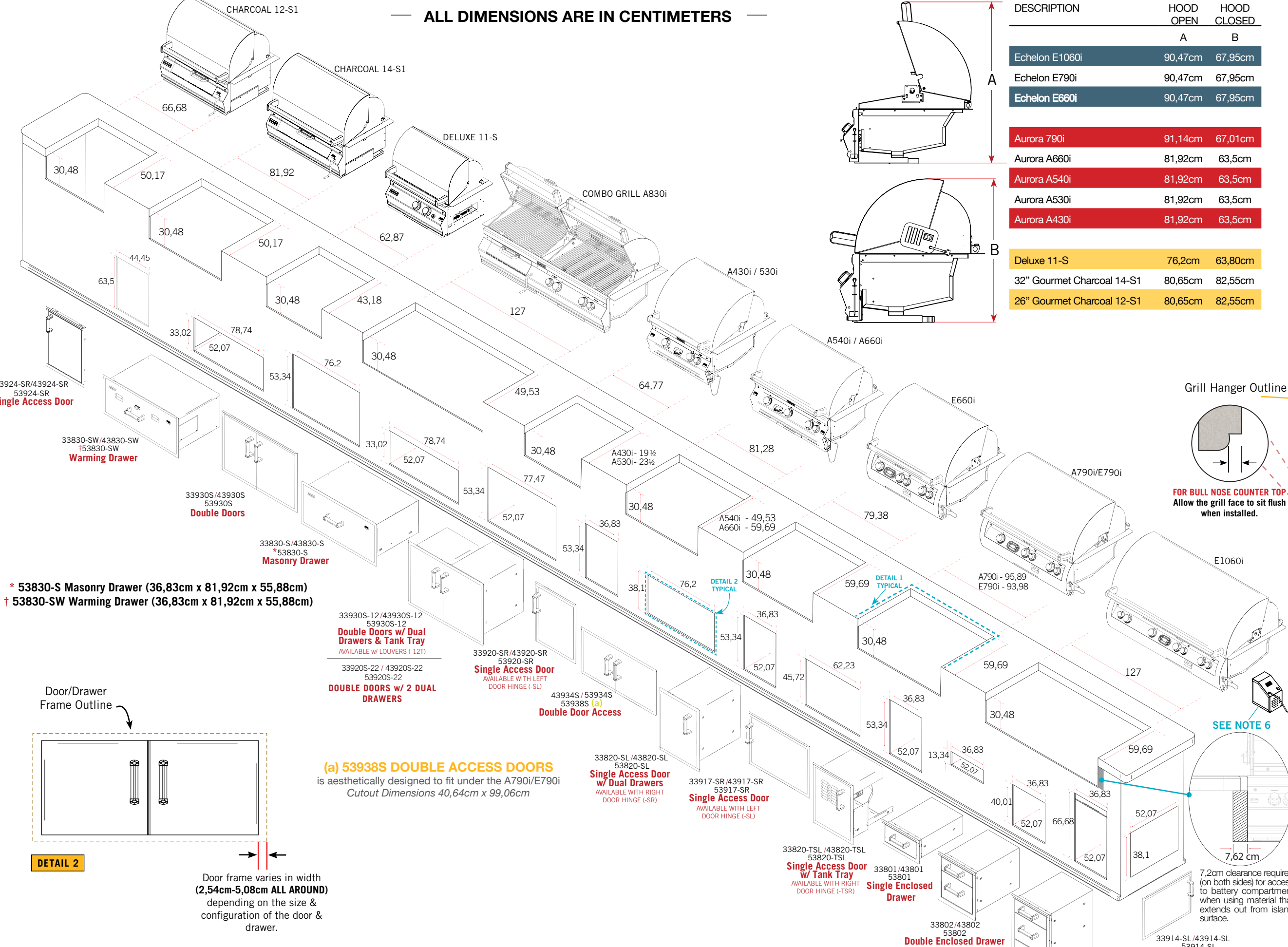
- Carefully consider grill size & accessories needed
- Combustible construction requires insulating liner
- Select Natural or Propane (LP gas)
- Determine total gas consumption for supply line size
- Access required to gas connections and shut off valve
- Plan location of propane tank away from grill and appliances
- Always refer to the installation and operating instructions of your Fire Magic® grill and/or accessories for installation guidelines & safety warnings before starting your project
- Always check all gas connections for leaks
- Provide ventilation in island for gas vapors. Allow at least four ventilation openings (two at floor level and two 40,64cm above floor 25,4cm² each) at opposing ends/sides

LOCATION

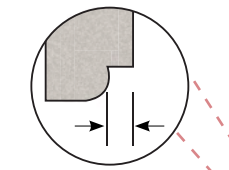
- Identify outdoor area where grill will be installed
- Determine the utilities needed (gas, water, electricity, drainage etc.)
- Consider element exposure (sun, wind direction, weather etc.)

MATERIALS

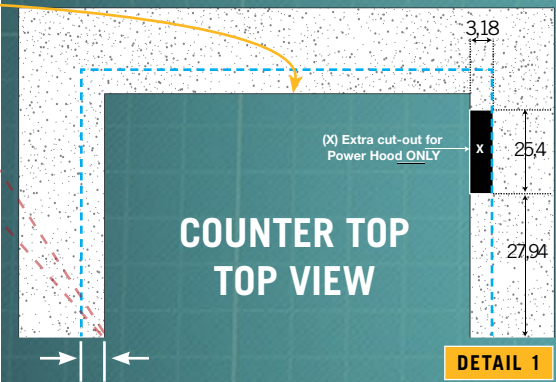
- Foundation- concrete
- Base- brick, stone, stucco, concrete
- Counter top- tile, granite, marble, concrete



Grill Hanger Outline



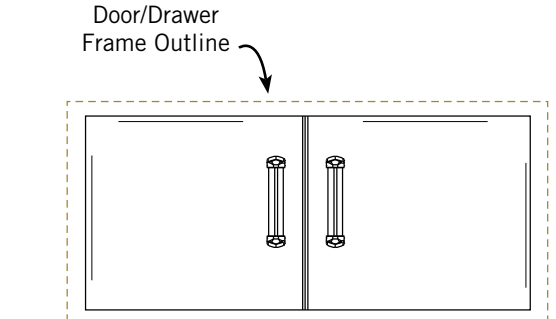
FOR BULL NOSE COUNTER TOP. Allow the grill face to sit flush when installed.



COUNTER TOP TOP VIEW

Grill hanger varies in width (6,35cm-7,62cm) depending on the size & configuration of the grill.

* 53830-S Masonry Drawer (36,83cm x 81,92cm x 55,88cm)
 † 53830-SW Warming Drawer (36,83cm x 81,92cm x 55,88cm)

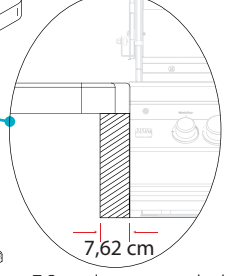


DETAIL 2

Door frame varies in width (2,54cm-5,08cm ALL AROUND) depending on the size & configuration of the door & drawer.

(a) 53938S DOUBLE ACCESS DOORS is aesthetically designed to fit under the A790i/E790i Cutout Dimensions 40,64cm x 99,06cm

SEE NOTE 6



7,2cm clearance required (on both sides) for access to battery compartment when using material that extends out from island surface.

Notes

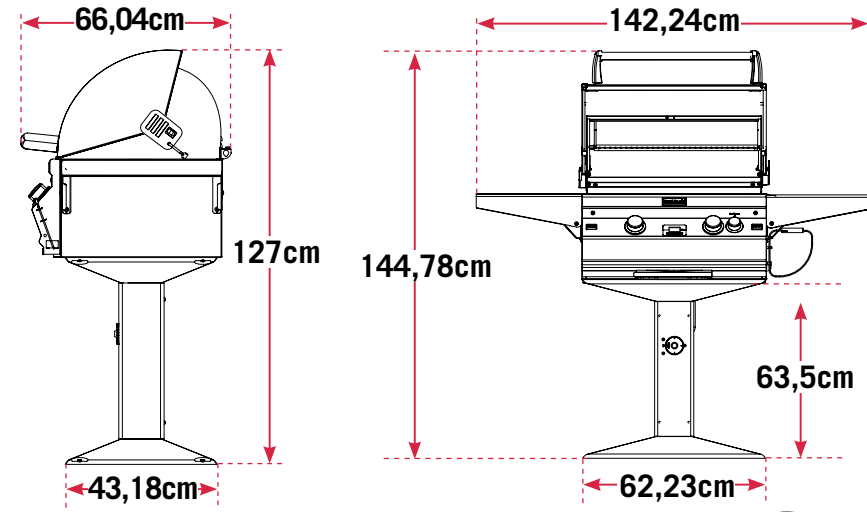
- There is a hanger on three sides of each grill. You must allow clearance for the hanger (SEE DETAIL 1).
- The control panel (face) of the grill is wider than the cutout width. This conceals the cutout space on the left & right hand sides.
- Clearance of 25,4cm on each side of the oven is recommended for unrestricted operation of lid and rotisserie and at least 7,62cm at the rear flange for ease of maintenance and proper operation. (45,72cm from combustible surroundings on each side and rear is required)
- See specific model cutout plan for units equipped with motorized hood.
- Insulating liners must be used & are available for combustible surrounds (See page 6).
- The rotisserie motor on all models is located on the right side of the grill. Optional Reverse Brackets are available to mount rotisserie motor on opposite side. ONLY units ordered with back burner option come with rotisserie kit and brackets.



GRILL CUT-OUT DIMENSIONS

ALL DIMENSIONS ARE IN CENTIMETERS

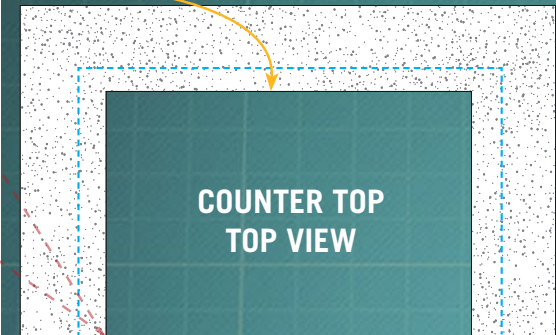
A430 Pedestal Dimensions A430s-2E1N-P6



Notes

1. There is a hanger on three sides of the grill (SEE DETAIL 3).
2. The control panel (face) of the accessories is wider than the cutout width. This conceals the cutout space on the left & right hand sides.
3. Clearance of 25,4cm on each side, and 7,62cm at the rear of the oven is recommended for unrestricted operation of accessories. (45,72cm from combustible surroundings on each side and rear)
4. Insulating liners must be used and are available for combustible surrounds. Double Side burner (3281), Single Side burner (3279-1) and Drop-In Side burner (3280) do not require an insulating liner (See page 6).

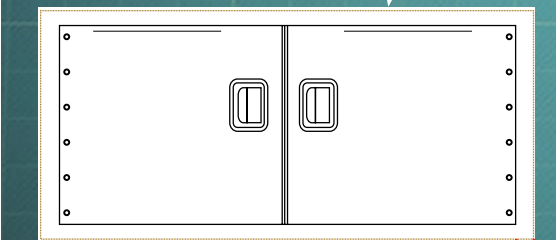
Accessory Hanger Outline



DETAIL 3

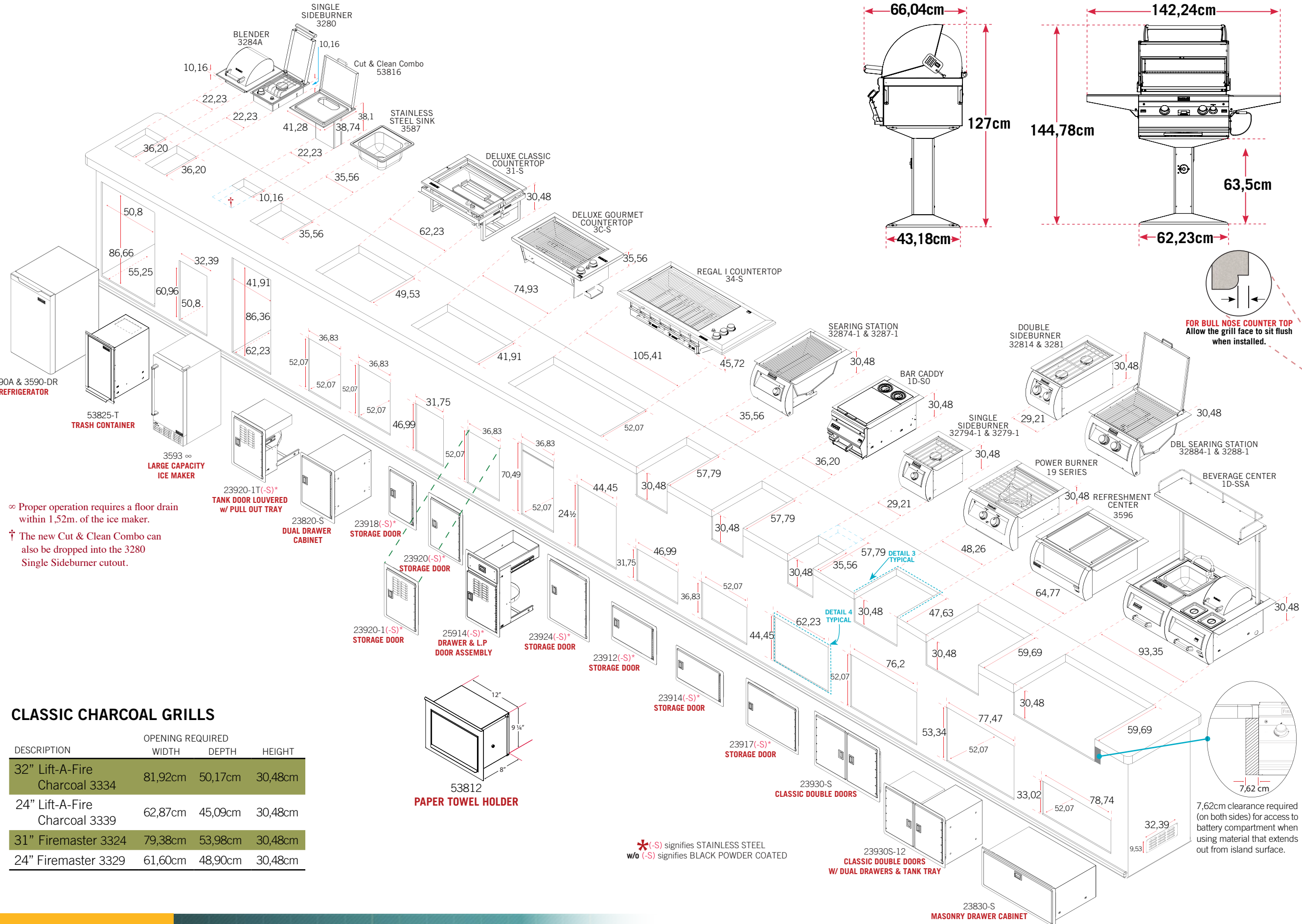
Accessory hanger varies in width (5,08cm-6,35cm ALL AROUND) depending on the size & configuration of the accessory.

Door/Drawer Frame Outline



DETAIL 4

Door frame varies in width (2,54cm-5,08cm ALL AROUND) depending on the size & configuration of the door & drawer.



CLASSIC CHARCOAL GRILLS

DESCRIPTION	OPENING REQUIRED		HEIGHT
	WIDTH	DEPTH	
32" Lift-A-Fire Charcoal 3334	81,92cm	50,17cm	30,48cm
24" Lift-A-Fire Charcoal 3339	62,87cm	45,09cm	30,48cm
31" Firemaster 3324	79,38cm	53,98cm	30,48cm
24" Firemaster 3329	61,60cm	48,90cm	30,48cm

∞ Proper operation requires a floor drain within 1,52m. of the ice maker.
† The new Cut & Clean Combo can also be dropped into the 3280 Single Sideburner cutout.

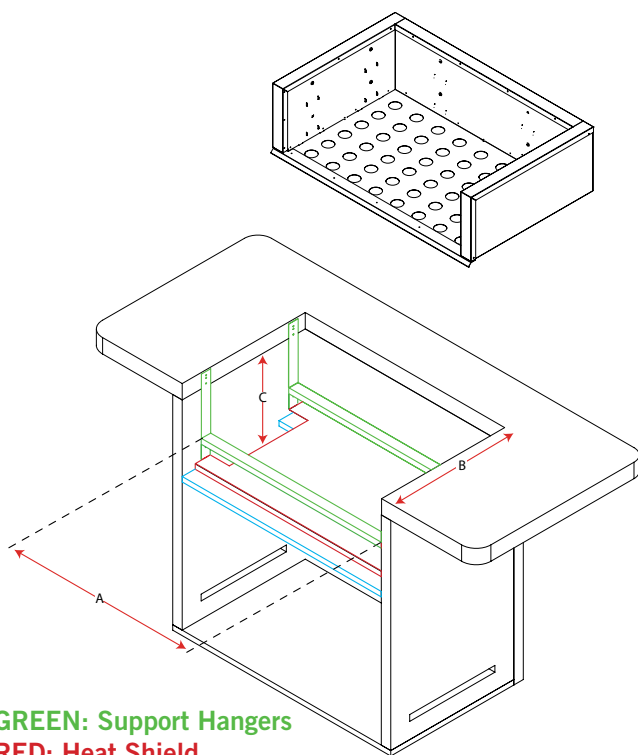
*(-S) signifies STAINLESS STEEL
w/o (-S) signifies BLACK POWDER COATED



ACCESSORIES CUT-OUT DIMENSIONS

INSULATING LINER MUST BE USED WHEN INSTALLING IN A COMBUSTIBLE ISLAND

Not used on Double Sideburner (3281), Single Sideburner (3279-1) or Drop-In Sideburner (3280)



GRILL CUT-OUT DIMENSIONS w/ INSULATING LINER

MODEL	OPENING REQUIRED		
	WIDTH A	DEPTH B	HEIGHT C
Echelon E1060i	139,7cm	66,04cm	30,48cm
Echelon E790i	106,98cm	66,04cm	30,48cm
Echelon E660i	92,41cm	66,04cm	30,48cm
Aurora A790i	106,98cm	66,04cm	30,48cm
Aurora A660i	92,41cm	66,04cm	30,48cm
Aurora A540i	93,01cm	56,18cm	30,48cm
Aurora A530i	76,50cm	66,04cm	30,48cm
Aurora A430i	76,50cm	56,18cm	30,48cm

Maintain proper clearance to combustible materials.

Notes:

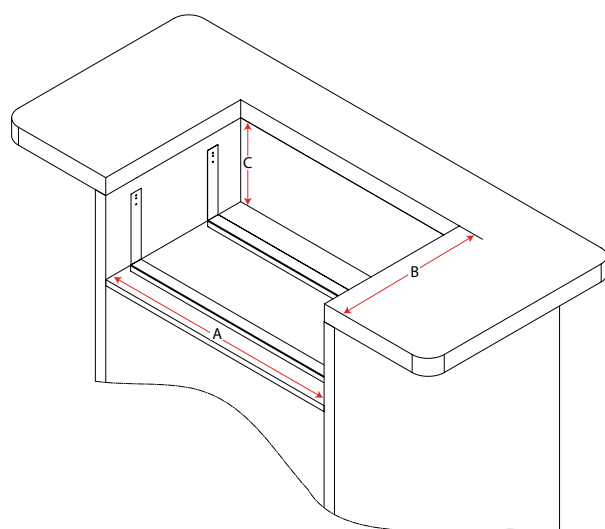
1. A nominal 0,16cm gap around the back and sides of the liner is recommended for ease of installation.
2. The counter top material may be placed up to the insulating liner on the back and sides.
3. A minimum of 100 sq. in. in air ventilation is required at cabinet face.
4. Cabinet face may be made of combustible material up to the front flange of the insulating liner.

GREEN: Support Hangers
RED: Heat Shield
BLUE: Combustible Material

To install and operate the Fire Magic® outdoor gas appliance, please refer to the Installation and Operating instructions and safety precautions shipped with the appliance.

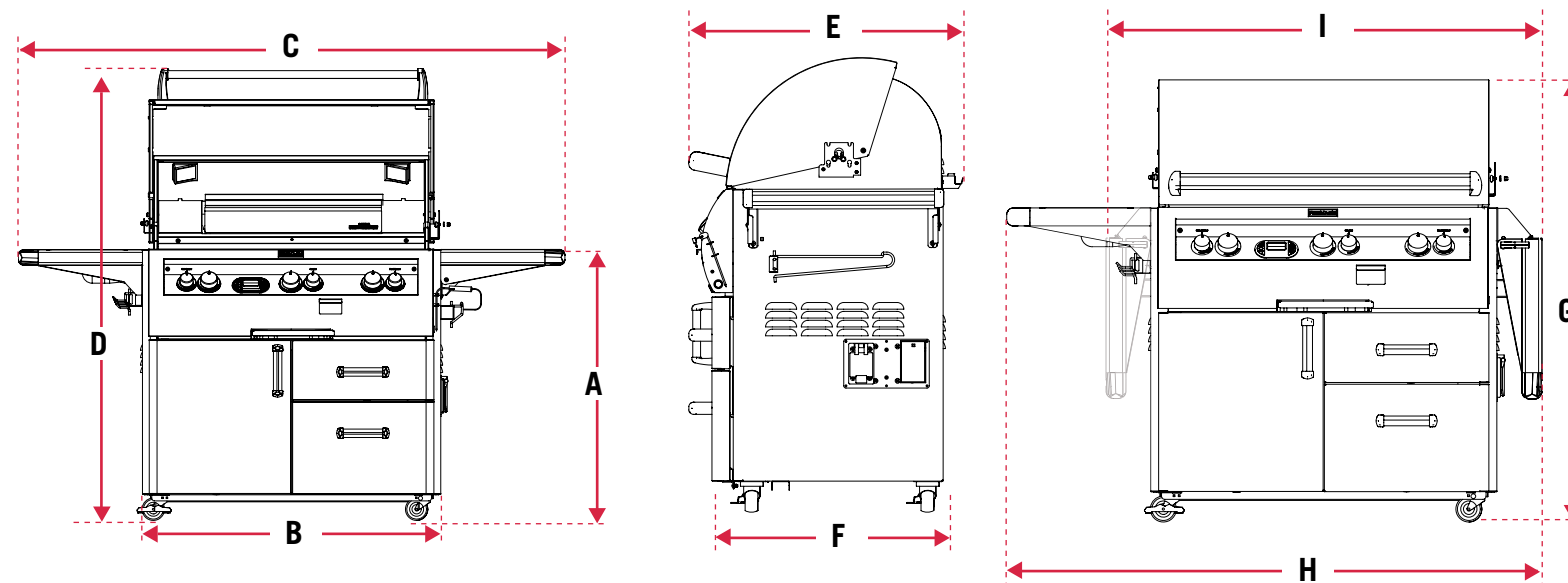
ACCESSORY & LEGACY CUT-OUT DIMENSIONS w/ INSULATING LINER

MODEL	OPENING REQUIRED		
	WIDTH A	DEPTH B	HEIGHT C
Deluxe	71,12cm	49,23cm	31,12cm
Power Burner	57,45cm	52,71cm	30,48cm
Searing Station	46,69cm	62,87cm	29,51cm



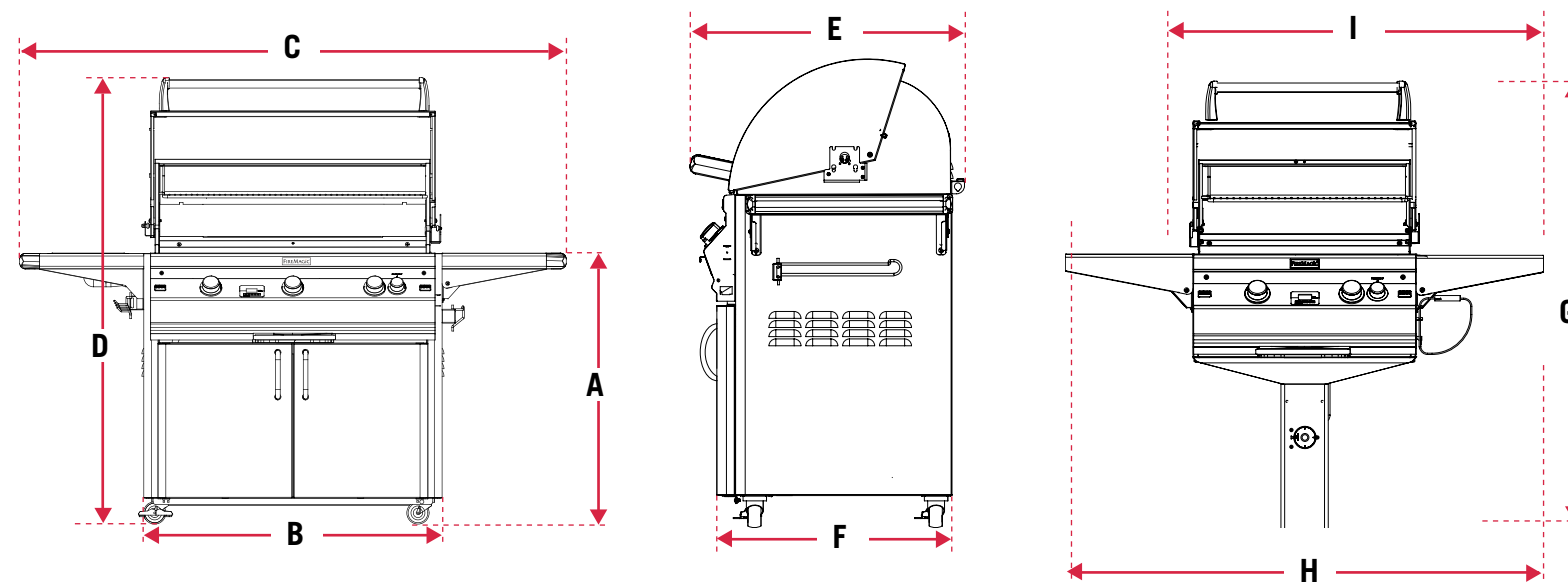
The information provided is for reference only. Detailed instructions are supplied with the insulation liner, unique to the model selected. Read those instructions carefully and completely before starting installation of the liner.

ECHELON STAND ALONE

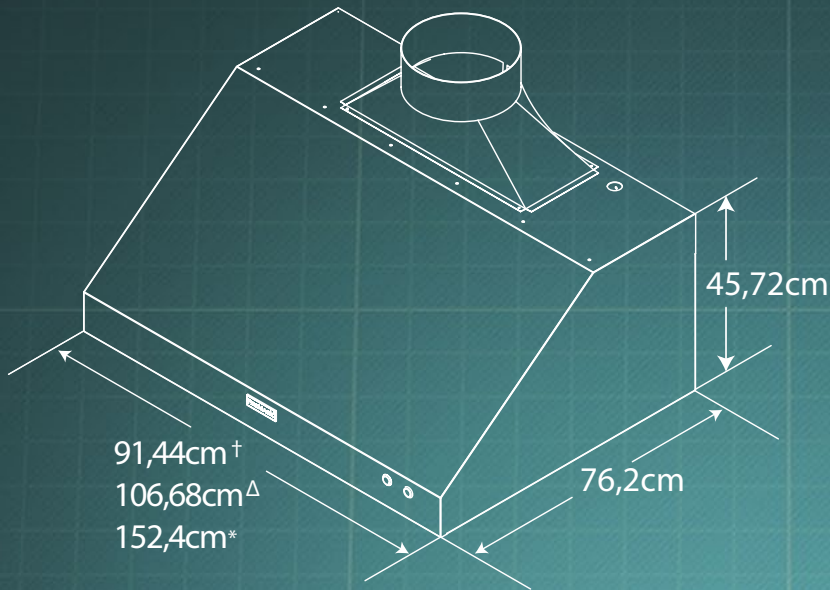


Model #	Series	Top of Face (A)	Cart Base (B)	Shelves Up (C)	Oven Open (D)	Max Outer (E)	Cart Base (F)	Oven Closed (G)	1-Up/1-Down (H)	Shelves Down (I)
E1060	62/63	93,98cm	134,62cm	219,08cm	153,67cm	75,57cm	66,04cm	132,08cm	189,87cm	n/a
E1060	51/71	93,98cm	197,49cm	281,94cm	153,67cm	75,57cm	66,04cm	132,08cm	252,73cm	223,52cm
E790	62/63	93,98cm	101,6cm	186,06cm	153,67cm	75,57cm	66,04cm	132,08cm	156,85cm	n/a
E790	71	93,98cm	149,23cm	233,68cm	153,67cm	75,57cm	66,04cm	132,08cm	204,47cm	175,26cm
E660	62/63	93,98cm	86,99cm	171,45cm	153,67cm	75,57cm	66,04cm	132,08cm	142,24cm	n/a
E660	71	93,98cm	134,62cm	219,08cm	153,67cm	75,57cm	66,04cm	132,08cm	189,87cm	160,66cm

AURORA STAND ALONE



Model #	Series	Top of Face (A)	Cart Base (B)	Shelves Up (C)	Oven Open (D)	Max Outer (E)	Cart Base (F)	Oven Closed (G)	1-Up/1-Down (H)	Shelves Down (I)
A660s	61/62	93,98cm	82,55cm	158,12cm	153,67cm	75,57cm	66,04cm	132,08cm	133,35cm	105,41cm
A540s	61/62	93,98cm	82,55cm	158,12cm	144,78cm	65,41cm	55,25cm	127cm	133,35cm	105,41cm
A530s	61/62	93,98cm	66,04cm	141,61cm	153,67cm	75,57cm	66,04cm	132,08cm	116,84cm	90,17cm
A430s	61/62	93,98cm	66,04cm	141,61cm	144,78cm	65,41cm	55,25cm	127cm	116,84cm	90,17cm



SPECIFICATION

Electrical requirements	110 volts, 60 hertz, 20 amp; GFI outlet.
Fans	12 VDC, 1400 CFM
Power supply †	12 VDC, 60 watts

Models Available

- † 36-VH-5
- Δ 42-VH-5
- * 60-VH-5

FIRE MAGIC® OUTDOOR GAS GRILL WARRANTY

LIFETIME WARRANTY

FIRE MAGIC® CAST STAINLESS STEEL BURNERS, STAINLESS STEEL ROD COOKING GRIDS, AND STAINLESS STEEL HOUSINGS ARE WARRANTED FOR AS LONG AS YOU OWN YOUR FIRE MAGIC® GRILL.

FIFTEEN YEAR WARRANTY

FIRE MAGIC® BRASS BURNERS, BRASS VALVES, MANIFOLD ASSEMBLIES , AND BACKBURNER ASSEMBLIES (EXCEPT IGNITION SYSTEMS) ARE WARRANTED FOR FIFTEEN (15) YEARS.

TEN YEAR WARRANTY

FIRE MAGIC® ELECTRIC GRILLS, ELECTRIC GRILL STAINLESS STEEL COOKING GRIDS, AND ELECTRIC GRILL STAINLESS STEEL HOUSING ARE WARRANTED FOR TEN (10) YEARS.

FIVE YEAR WARRANTY

INFRARED BURNERS, CHARCOAL STAINLESS STEEL GRILLS, AND SMOKERS (EXCEPT FOR THE CHARCOAL PAN, CHARCOAL GRID, WOOD PELLET SCREEN, THERMOMETER, AND ASH TRAY WHICH ARE WARRANTED FOR ONE YEAR) ARE WARRANTED FOR FIVE (5) YEARS

THREE YEAR WARRANTY

FIRE MAGIC® SIDEBURNERS AND ALL OTHER FIRE MAGIC® GRILL COMPONENTS (EXCEPT IGNITION SYSTEMS AND ELECTRICAL PARTS) ARE WARRANTED FOR THREE (3) YEARS.

ONE YEAR WARRANTY

FIRE MAGIC® IGNITION SYSTEMS (EXCLUDING BATTERIES), ELECTRICAL COMPONENTS (INCLUDING LIGHTS AND THERMOMETER), AND GRILL ACCESSORIES ARE WARRANTED FOR ONE (1) YEAR.

FIRE MAGIC® RESERVES THE RIGHT TO AMEND PRODUCT SPECIFICATIONS WITHOUT PRIOR NOTICE.