

**BROMIC**<sup>®</sup>  
HEATING

Smart-Heat™ Range

2016/2017

[BROMICHEATING.COM](http://BROMICHEATING.COM)

# Contents

<b>Who is Bromic Heating?</b>	2
-------------------------------	---

<b>What is Smart-Heat™?</b>	3
-----------------------------	---

<b>Gas</b>	5-11
------------	------

Platinum Smart-Heat™ Gas	6-8
--------------------------	-----

Tungsten Smart-Heat™ Gas	9-11
--------------------------	------

Gas Mounting	12
--------------	----

<b>Electric</b>	13-23
-----------------	-------

Platinum Smart-Heat™ Electric	14-17
-------------------------------	-------

Tungsten Smart-Heat™ Electric	18-20
-------------------------------	-------

Cobalt Smart-Heat™ Electric	21-23
-----------------------------	-------

Electric Mounting	24
-------------------	----

<b>Portable</b>	25
-----------------	----

Tungsten Smart-Heat™ Portable	26-28
-------------------------------	-------

<b>Smart-Heat™ Accessories</b>	29-30
--------------------------------	-------

<b>Smart-Heat™ Wireless Controllers</b>	31
---	----

<b>Design Center</b>	32
----------------------	----

<b>Notes</b>	33
--------------	----

<b>Smart-Heat™ Range Comparison Chart</b>	34-36
---	-------



## Who Is Bromic Heating?

Bromic Heating was established by the Bromic Group in 2007. Harnessing the technical expertise gained from over 30-years in the gas appliance and hospitality industries, Bromic Heating revolutionized the heating industry through a focus on powerful performance and aesthetic appeal. Through extensive in-house development of our patented Smart-Heat™ technology, we have tailored a range of effective radiant heating solutions to the unique requirements of the hospitality and residential markets. Our provision of gas, electric and portable products enables a solution-oriented approach with the versatility to optimize our heating systems in any area. Distinctly different designs across the Platinum, Tungsten and Cobalt ranges furthers this flexibility, utilizing high-end materials to craft uniquely-styled packages to introduce true Smart-Heat™ performance to any environment.



# What Is Smart-Heat™?

## Infrared Radiant Heat

Unaffected by wind or weather, infrared energy heats people and objects directly rather than warming the air around them

## Directional Heating

Easily adjustable mounting solutions combine with precise heat projection to provide customizable comfort to where it is needed most

## Evenly Diffused Heat

Patented screen technology spreads heat evenly to create consistent comfort across an entire area

## Unique Designs

The Platinum, Tungsten and Cobalt ranges offer distinctly different aesthetic options to blend with any theme

## Seamless Integration

A tastefully understated design focus offers the ability to create comfort in any setting

## Reliability

All units undergo rigorous in-house testing to engineer the durability demanded by consistently heavy use

## Ease Of Use

Single switch activation and smart control compatibility creates set-and-forget simplicity

## Cutting-Edge Technology

Patented innovations in infrared optimization, wind resistance and safety secure Bromic Heating's status as an industry leader

## Flexibility

Scalable heating solutions can be coupled with ceiling, wall, recess, suspension or even umbrella mounting options to service any space imaginable

## Unrivalled Diversity

As the only manufacturer of gas, electric AND portable heaters, Bromic Heating can tailor a Smart-Heat™ solution to any application

## Premium Materials

Ceramic tiles and quartz elements reside within stainless steel structures surrounded by robust materials to offer superior performance and durability

## Superior Performance

Efficiently and evenly heat larger areas in conditions where others could simply not compete







**Bronic Smart-Heat™ Gas**



# Bromic Platinum Smart-Heat™ Gas



## Comfort without compromise...

The Platinum Smart-Heat™ Gas range represents the absolute pinnacle of outdoor heating products, combining elegant aesthetics with industry-leading performance to offer value and reliability to premium venues and homes. Able to directionally project a comfortably diffused radiant heat deeply into open outdoor spaces, the Platinum Smart-Heat™ Gas is the only gas heater in the world that utilizes glass-ceramic technology to manipulate infrared energy while achieving unparalleled wind resistance.





## Platinum Smart-Heat™ Gas

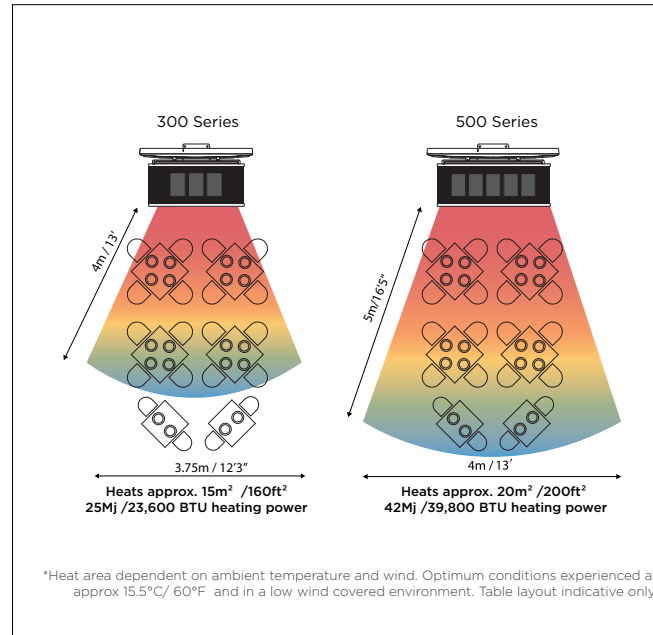


**Platinum Smart-Heat™ Gas**  
300-Series  
Available LPG (Propane) / Natural Gas

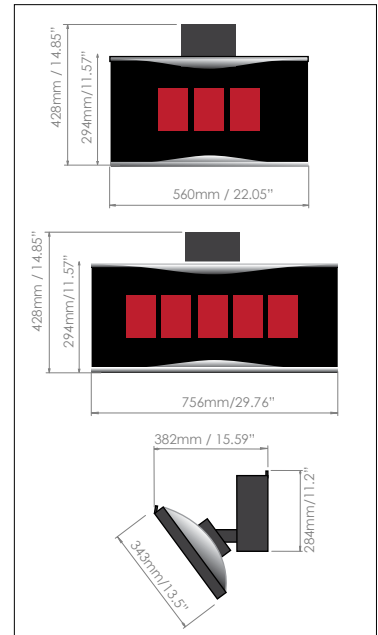


**Platinum Smart-Heat™ Gas**  
500-Series  
Available LPG (Propane) / Natural Gas

### Heat Area



### Dimensions



## Features

### Tinted Glass-Ceramic Screen

The Platinum's signature screen spreads comfort evenly across an area while emitting a soft red glow

### Ceramic Efficiency

Slow-release ceramic burners efficiently combust gas to fuel the most environmentally friendly gas-fired heating method available

### Elegantly Subtle Design

Equally at home as the stunning centerpiece or supporting from the sidelines

### Unrivaled Coverage

Projects comfort evenly across a wide range while reaching deeply into open areas

### Patented Direct Ignition

Automated direct ignition eliminates the need for a pilot, resulting in instantaneous ignition

### Sturdy Construction

Durable stainless steel structures house components of the highest quality, fueling reliable performance

### Ultimate Wind Resistance

Patented screen and ionization probe technology enables remarkable wind resistance, functioning reliably in winds of up to 18km/h or 11mph

### Ease Of Use

Smart system compatibility and automated re-ignition allows users to simply set and forget

### Versatile Mounting

Reclaim valuable floor space through fixed heating with a range of ceiling and wall mounting options

### Directional Control

Easy pivot bracket offers adjustable heat direction and coverage

### Wireless Control Capabilities

Genuine wireless control accessories allow seamless integration of remote heater control



*Indulge in Warmth*



# Bromic Tungsten Smart-Heat™ Gas



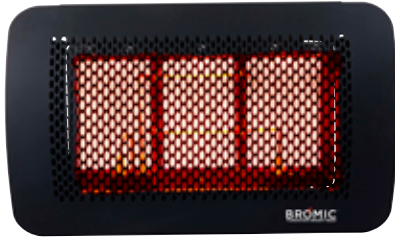
## High-performance heating...

The Tungsten Smart-Heat™ Gas range provides unadulterated heating performance in its purest form. Powered by highly-efficient gas-fired ceramic burners, this heater utilizes an open mesh shield to prioritize performance and provide powerful heating across an impressive heating area. A combination of rugged design and impressive wind resistance makes the Tungsten an obvious choice in harsh, high-exposure applications where performance is paramount.



**THE POWER PERFORMER**

**Tungsten Smart-Heat™ Gas**

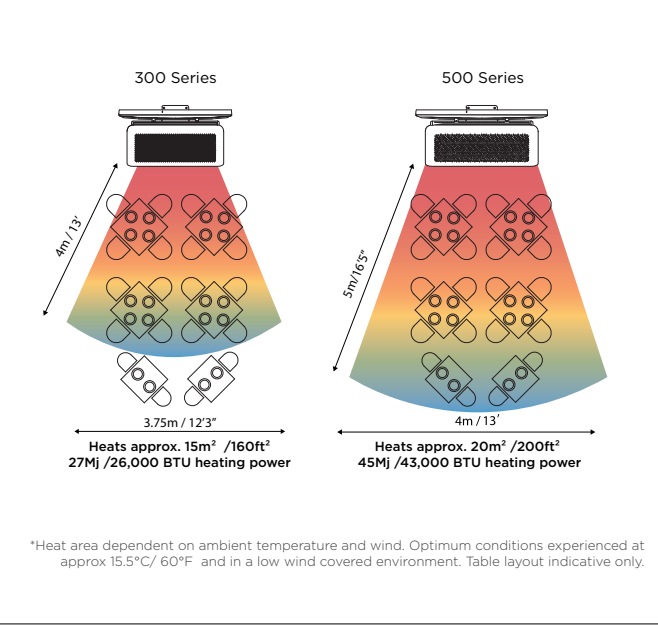


**Tungsten Smart-Heat™ Gas**  
300-Series  
Available LPG (Propane) / Natural Gas

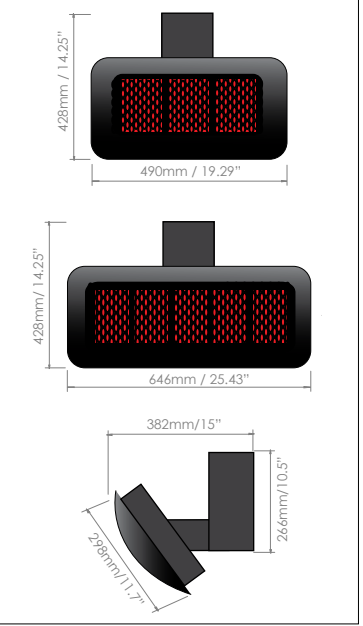


**Tungsten Smart-Heat™ Gas**  
500-Series  
Available LPG (Propane) / Natural Gas

**Heat Area**



**Dimensions**





## Features

### High-Performance Mesh Screen

The Tungsten's unique screen scientifically manipulates infrared energy to maximize performance while achieving a superior spread of heat

### Ceramic Efficiency

Slow-release ceramic burners efficiently combust gas to fuel the most environmentally friendly gas-fired heating method available

### Strong, Directional Heat

Robust radiant heat output with an easy pivot arm bracket for greater positioning versatility

### Patented Direct Ignition

Automated direct ignition eliminates the need for a pilot, resulting in instantaneous ignition

### Ultra-Durable Design

Stainless steel construction ensures reliable heating for years to come

### Ease Of Use

Smart system compatibility and automated re-ignition allows users to simply set and forget

### Exceptional Wind Resistance

Patented screen and ionization probe technology enables remarkable wind resistance, functioning reliably in winds of up to 12km/h or 8mph

### Versatile Mounting

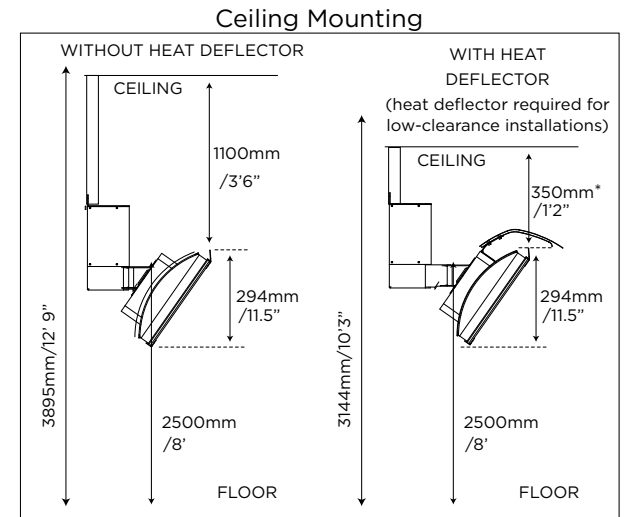
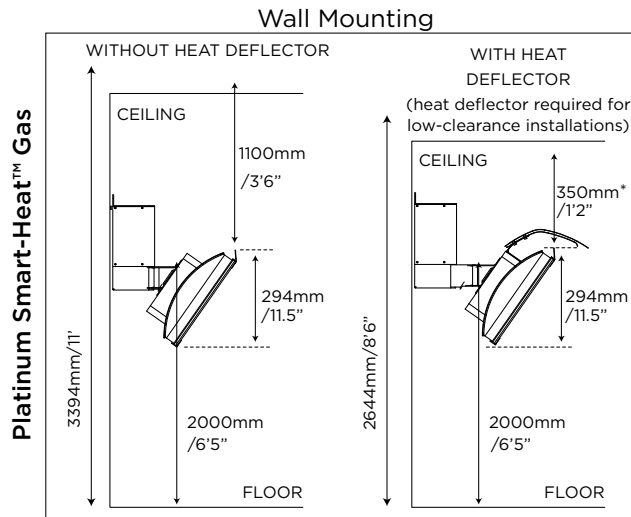
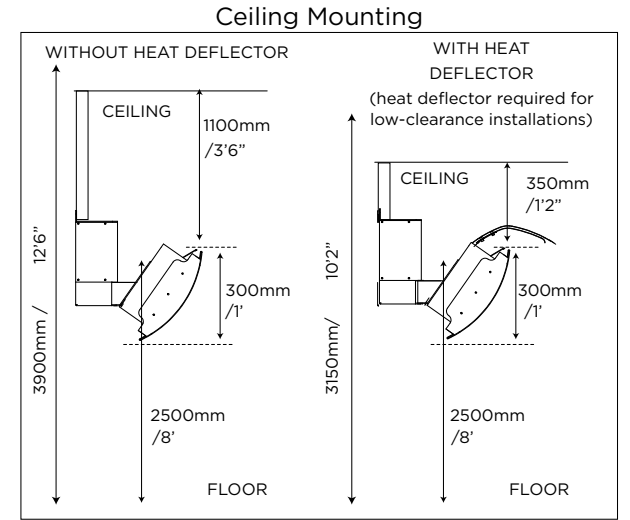
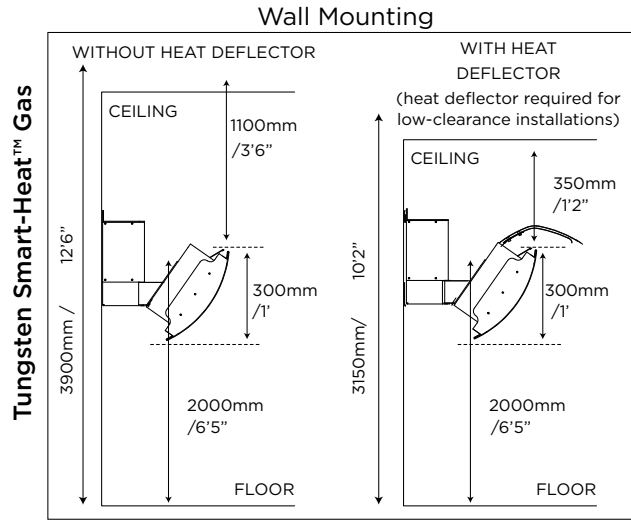
Reclaim valuable floor space through fixed heating with a range of ceiling and wall mounting options

### Wireless Control Capabilities

Genuine wireless control accessories allow seamless integration of remote heater control



# Recommended Gas Installation Clearances







**Bromic Smart-Heat™ Electric**



# Bromic Platinum Smart-Heat™ Electric



Comfort without compromise...

The Platinum Smart-Heat™ Electric excels in efficiency, packing profound performance into a sleek package to suit high-end, style-centric settings. Designed specifically with low-clearance, semi-enclosed and aesthetically-focused spaces in mind, this heater minimizes light emission to blend seamlessly into rooflines with the aid of recess kits or stylishly mount to a number of other surfaces.

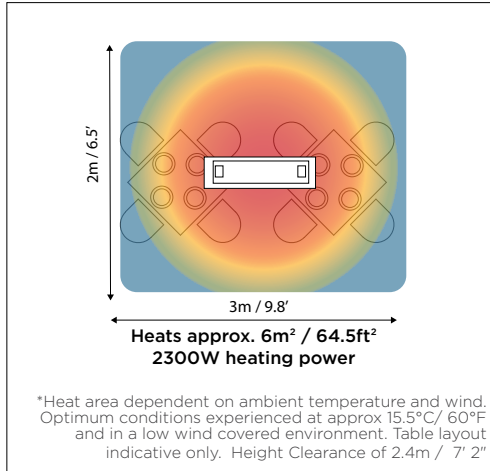


## Platinum Smart-Heat™ Electric Series II

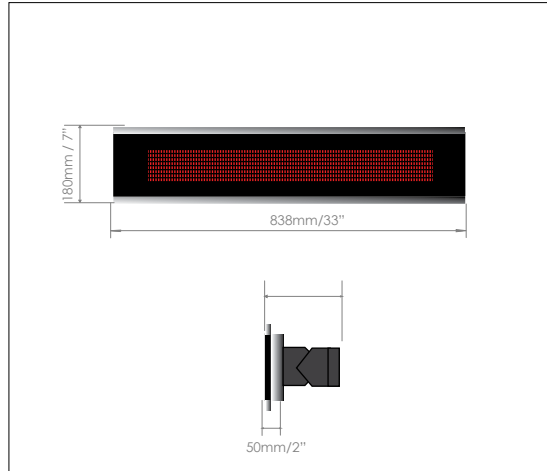


Platinum Smart-Heat™ Electric Series II  
Available in 2300W output

### Heat Area



### Dimensions



**WAFER-THIN PROFILE**

## Features

### Tinted Glass-Ceramic Screen

The Platinum's signature screen spreads comfort evenly across an area while minimizing light emission

### Wafer-Thin Design

Wall, ceiling and flush-mounting options allow subtle placement of this compact heater practically anywhere!

### Subtle Aesthetics

Elegantly understated to create comfort while blending into the environment

### Precise Directional Heating

Accurately alter coverage through simple bracket adjustment

### Ultra-Durable Design

Stainless steel construction ensures reliable heating for years to come

### Tight Space Specialist

Minimal vertical clearance requirements and a multitude of mounting options offers versatility to a variety of enclosed outdoor areas

### Ease Of Use

Single switch activation and smart control compatibility creates set-and-forget simplicity

### Wireless Control Capabilities

Genuine wireless control accessories allow seamless integration of remote heating output adjustment







# Platinum Smart-Heat™ Electric Series I



Platinum Smart-Heat™ Electric Series I  
Available in 1500W output

## Features

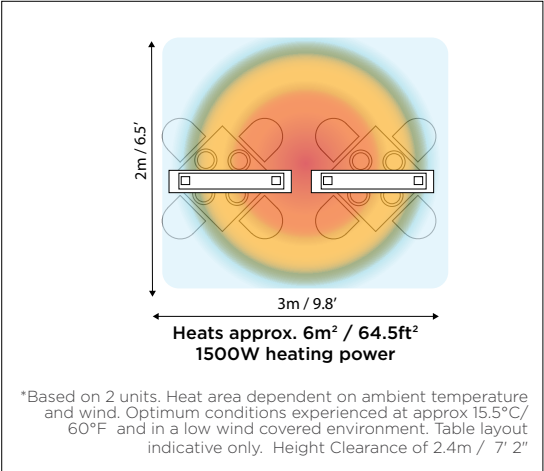
**IPX5 Weather Resistance**  
Rugged and ready for the real world

**Precise Directional Heating**  
Accurately alter coverage through simple bracket adjustment

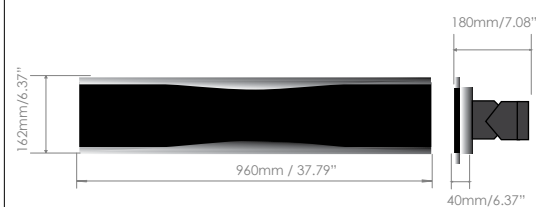
**Ease Of Use**  
Single switch activation and smart control compatibility creates set-and-forget simplicity

**Wireless Control Capabilities**  
Genuine wireless control accessories allow seamless integration of remote heating output adjustment

## Heat Area



## Dimensions



# Bromic Tungsten Smart-Heat™ Electric



## High-performance heating...

The Tungsten Smart-Heat™ Electric range brings high-performance radiant heating to open outdoor applications and semi-enclosed spaces alike. This heater's extended body and parabolic specular reflector (PSR) provides a wide wall of heat across a vast footprint, maximizing the comfort created by each unit. Available in 4 models with heat outputs of up to 6kW, these units emit minimal light and present a scalable solution for those wishing to tailor heating systems specifically to the space serviced.





**A WARM RADIANT HEAT**

## Tungsten Smart-Heat™ Electric



Tungsten Smart-Heat™ Electric  
2000W (2kW)



Tungsten Smart-Heat™ Electric  
4000W (4kW)



Tungsten Smart-Heat™ Electric  
3000W (3kW)



Tungsten Smart-Heat™ Electric  
6000W (6kW)

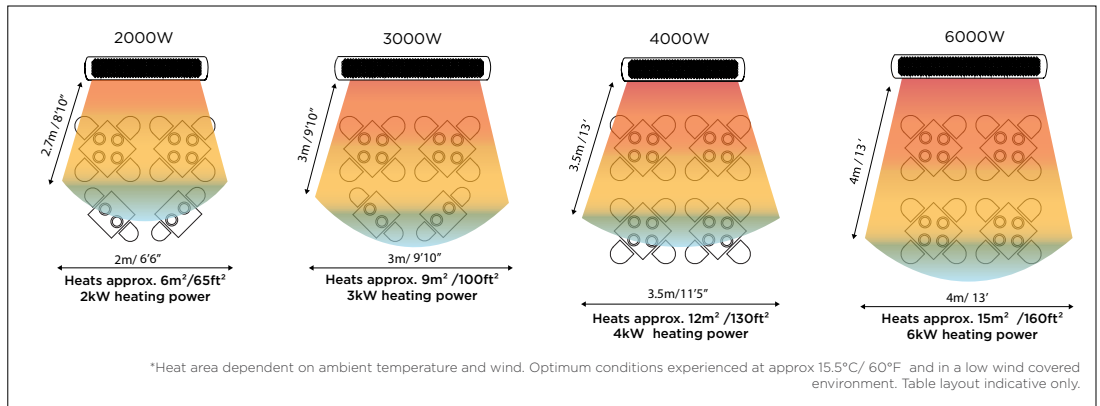
Standard Colours

Matte Black

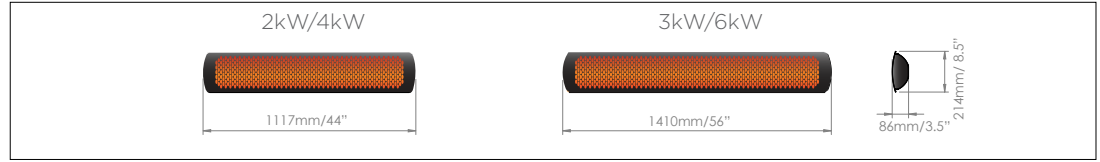
Matte White

\*Other colours available on request - quantity requirements apply

## Heat Area



## Dimensions



## Features

### High-Performance Mesh Screen

The Tungsten's unique front cover manipulates infrared energy to maximize performance while achieving a superior spread of heat

### Ultra-Durable Quartz Element

Translucent fused quartz houses a thick steel coil to create a high-output, durable element that emits a soft red glow

### Parabolic Specular Reflector (PSR)

A mirror-finish anodized rear reflector directs lost infrared energy back towards the target, maximizing performance and efficiency

### High-Temperature Coating

Attractive, corrosion-resistant black or white finish to suit any surrounding

### Easy Installation

Mount the included bracket and connect power to create comfort in no time

### Scalable Solution

Available in 2000W (2kW), 3000W (3kW), 4000W (4kW) and 6000W (6kW) models with the ability to adjust the output of individual elements

### Ultra-Durable Design

Stainless steel construction ensures reliable heating for years to come

### Precise Directional Heating

Accurately alter coverage through simple bracket adjustment

### Wireless Control Capabilities

Genuine wireless control accessories allow seamless integration of remote heating output adjustment



## Bromic Cobalt Smart-Heat™ Electric



### Simplified smart-heating...

The Cobalt Smart-Heat™ Electric embodies the core characteristics of the Bromic Heating range, simplifying proven performers to produce an entry-level Smart-Heater. The extended body of this rugged electric heater is constructed entirely from stainless steel, providing reliability and strong heating performance across an exceptionally large area.



## Cobalt Smart-Heat™ Electric



Cobalt Smart-Heat™ Electric  
2000W (2kW)



Cobalt Smart-Heat™ Electric  
3000W (3kW)

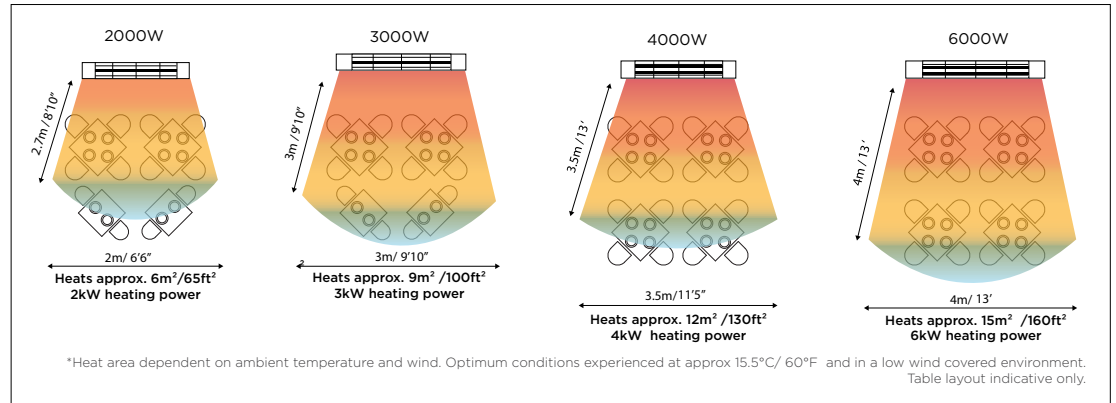


Cobalt Smart-Heat™ Electric  
4000W (4kW)

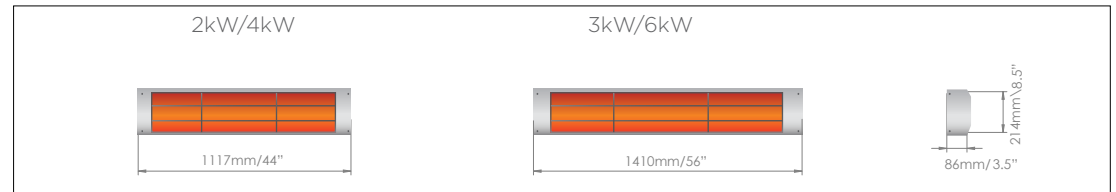


Cobalt Smart-Heat™ Electric  
6000W (6kW)

### Heat Area



### Dimensions







## Features

### **Ultra-Durable Quartz Element**

Translucent fused quartz houses a thick steel coil to create a high-output, durable element that emits a soft red glow

### **Parabolic Specular Reflector (PSR)**

A mirror-finish anodized rear reflector directs lost infrared energy back towards the target, maximizing performance and efficiency

### **Ultra-Durable Design**

Stainless steel construction ensures reliable heating for years to come

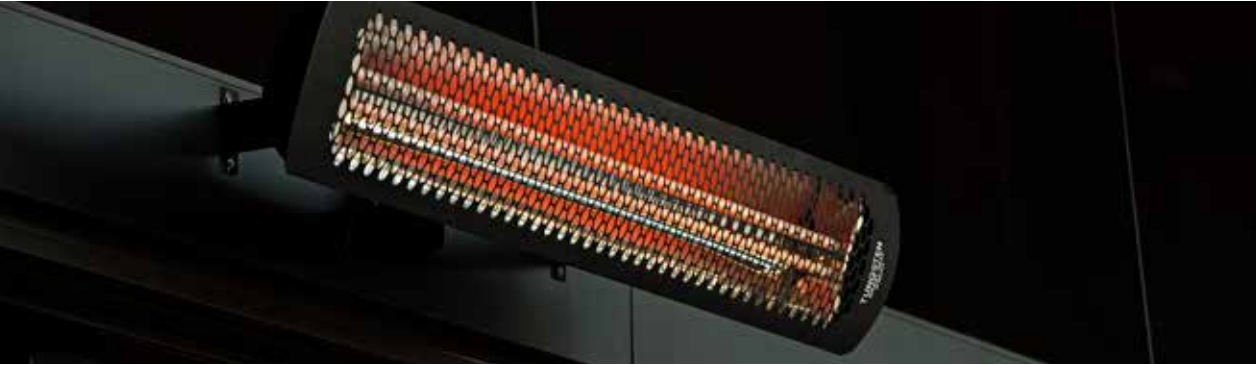
### **Precise Directional Heating**

Accurately alter coverage through simple bracket adjustment

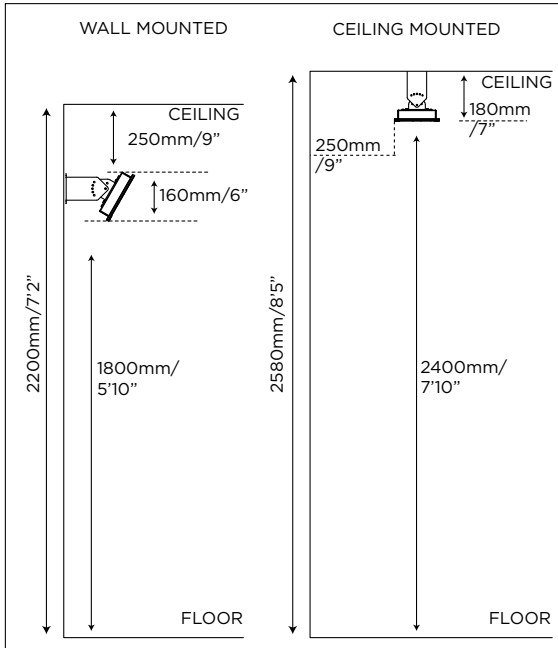
### **Wireless Control Capabilities**

Genuine wireless control accessories allow seamless integration of remote heating output adjustment

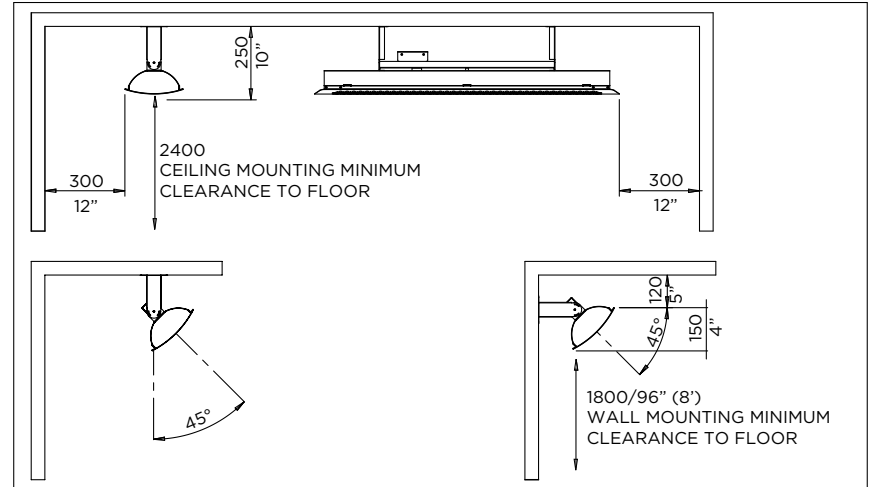
# Recommended Electric Installation Clearances



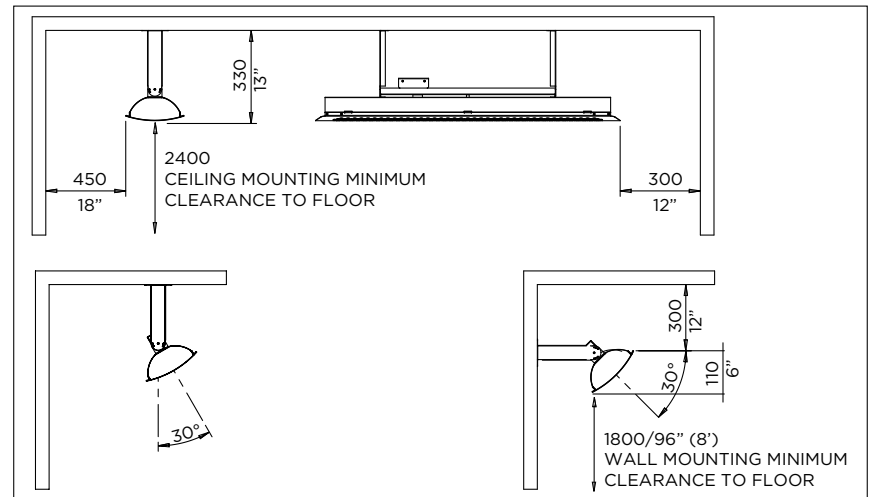
## Platinum Smart-Heat™ Electric Series I & II



## Cobalt & Tungsten Smart-Heat™ Electric 2000W & 3000W



## Cobalt & Tungsten Smart-Heat™ Electric 4000W & 6000W







BROMIC

**Bromic Smart-Heat™ Portable**



# Bromic Tungsten Smart-Heat™ Portable



The pinnacle of portable performance...

The Tungsten Smart-Heat™ Portable heater brings the revolutionary radiant performance of its fixed gas counterpart to an ergonomically designed portable platform. Creating comfort over an area up to three times the size of that serviced by a traditional portable heater while fueled by the same single gas cylinder, this unit utilizes directional heating to evenly, efficiently and effectively service any area it is wheeled into.



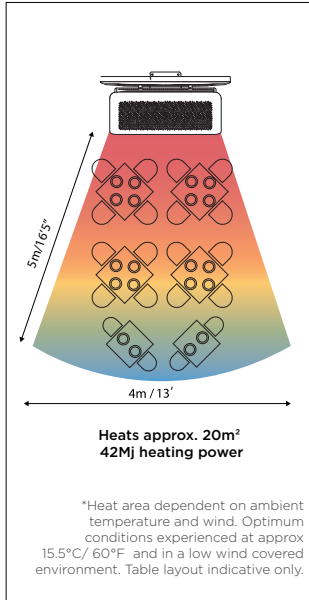


# Tungsten Smart-Heat™ Portable

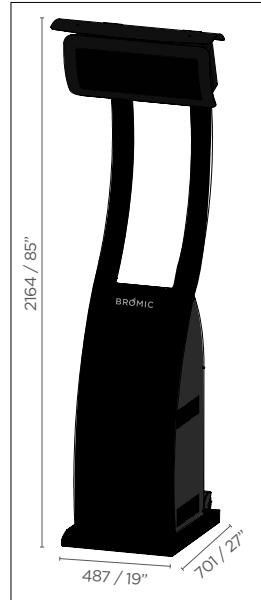


Tungsten Smart-Heat™  
Portable

## Heat Area



## Dimensions



## Features

### High-Performance Mesh Screen

The Tungsten's unique front cover scientifically manipulates infrared energy to maximize performance while achieving a superior spread of heat

### Exceptional Wind Resistance

The Tungsten's signature mesh screen enables remarkable wind resistance when combined with twin thermocouples, functioning reliably in winds of up to 12km/h or 8mph

### Ceramic Efficiency

Slow-release ceramic burners efficiently combust gas to fuel the most environmentally friendly gas-fired heating method available

### Strong, Direct Heat

Robust radiant heat output with heater head adjustment for greater positioning versatility

### Unrivaled Coverage

Projects comfort evenly across a wide range while reaching deeply into open areas

### International Acclaim

Distinct difference from traditional portable heaters has earned widespread praise, including accolades such as the Good Design® Award and Red Dot Award

### Superior Safety

Patented flame failure and tilt safety technology ensures risk-free operation at all times

### One-Touch Ignition

Simply set the gas and push a button; the repetitive spark igniter will do the rest

### Ergonomic Modular Design

The perfectly balanced body is easily de-constructed for transport or storage while offering superior tilt resistance and effortless movement







**Bromic Smart-Heat™ Accessories**

## Smart-Heat™ Wireless Controllers



### Bromic Heating Wireless Controller

The Bromic Heating Wireless Controller has the ability to switch power supply to two separate circuits, enabling independent 'On/Off' control of up to two electric or four gas heaters. The unit's included radio transmitter offers control from up to 30m or 100ft away and is entirely portable, although it can be easily mounted with a double-sided adhesive or with screw provisions within the case.



### Bromic Heating Wireless Dimmer Controller

The Bromic Heating Wireless Dimmer Controller augments the functionality of our base-model Wireless Controller with the ability to dim electric heating output over a percentage gradient. The unit's included radio transmitter allows quick reductions of heating output to 25%, 50% or 75% while also offering the ability to adjust output up/down in increments of 1%.



### Bromic Heating Wireless Master Remote

The Bromic Heating Wireless Master Remote offers complete comfort control and user-programmable customization to those wishing to implement our wireless control solutions on a grand scale. This radio transmitter can adjust an unlimited number of controllers in 6 groups from a single point within its 30m or 100ft range and is a must for larger venues.





### Bromic Heat Deflector

Bromic's Gas Heat Deflectors reduce the clearance required between the top of a heater and the surface above from 1100mm/3'7" to 350mm/1'1" by absorbing heat that would otherwise escape vertically. This stainless steel deflector is unique in its dual layer construction, using the rigid top layer for reinforcement while reducing radiation of heat absorbed by the bottom layer.



### Bromic Heater Ceiling Poles

Bromic's Gas Heater Ceiling Poles offer the ability to mount two units back-to-back below flat or pitched ceilings up to 4m/13' above the floor. Pre-cut kits are available in 200mm/7.9" increments between 246mm/9.7" and 1046mm/3'5" in length to optimize heater heights in applications with ceilings between 3.2m/10'6" and 4m/13' above the ground.



### Bromic Heater Recess Kits

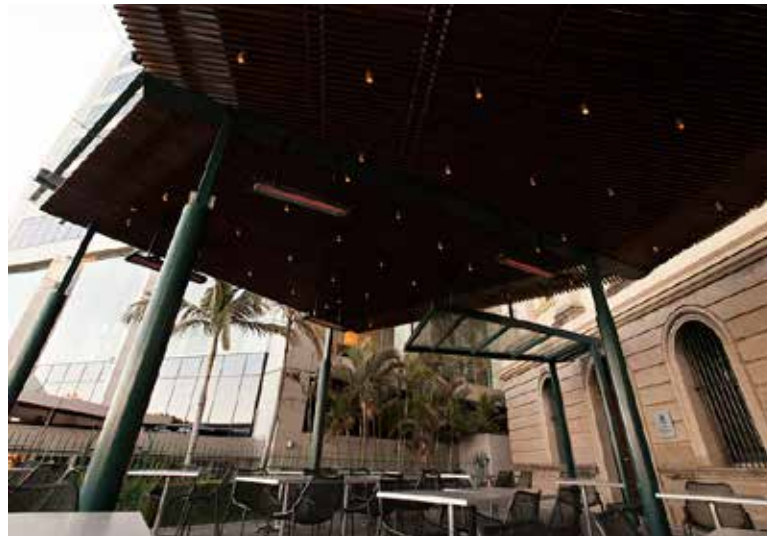
Bromic's Electric Heater Recess Kits enable seamless integration of heating solutions into areas where subtlety and style are paramount. Platinum and Tungsten Smart-Heat™ electric units each have unique recess kits, allowing them to service spaces with ceilings between 2.4m/7'10" and 3.5m/11'6" above the floor by flush-mounting units within roof cavities as small as 250mm/10"!



### Bromic Heater Tube Suspension Kits

Bromic's Electric Heater Tube Suspension Kits are used to space units down to an effective height in higher ceiling applications where wall-mounting may not be appropriate. Using two 1m/3'3" poles that can be cut to length to evenly suspend a heater, these kits retain directional adjustability while providing heat directly to targets from above.





## Tailored Solution Service

Our engineers are experts in the real-world challenges presented by different outdoor areas. They have developed a diverse range of products to overcome these obstacles, becoming industry-leaders in the provision of outdoor heating to the hospitality and residential markets. We understand that each unique space requires a unique solution and encourage our customers to utilize our free site design service, tailoring personalized, effective heating systems that offer peace of mind through planned perfection.

Step 1: Email your plans to [info@bromicheating.com](mailto:info@bromicheating.com)

Step 2: Allow our heating experts 48-hours to construct a commitment-free quote

Step 3: Reap the rewards of a personalized Smart-Heat™ solution!







## Smart-Heat™ Comparison Chart





# Smart-Heat™ Comparison Chart



300 Series



500 Series



300 Series



500 Series



Portable



2300W



1500W



2000W (2kW)



3000W (3kW)



4000W (4kW)



6000W (6kW)



2000W (2kW)



3000W (3kW)



4000W (4kW)



6000W (6kW)

Range	Platinum Smart-Heat™ Gas		Tungsten Smart-Heat™ Gas		Tungsten Smart-Heat™ Portable	Platinum Smart-Heat™ Electric Series II	Platinum Smart-Heat™ Electric	Tungsten Smart-Heat™ Electric				Cobalt Smart-Heat™ Electric			
Model	300-Series	500-Series	300-Series	500-Series	Portable	2300W	1500W	2000W	3000W	4000W	6000W	2000W	3000W	4000W	6000W
Energy Type	LPG/NG	LPG/NG	LPG/NG	LPG/NG	LPG	Electric	Electric	Electric	Electric	Electric	Electric	Electric	Electric	Electric	Electric
Heat Output	25Mj / 23,600BTU	42Mj / 39,800BTU	27Mj /26,000BTU	45Mj / 43,000BTU	34 Mj – 42 Mj / 29,300 BTU – 39,800 BTU	2300W	1500W	2000W	3000W	4000W	6000W	2000W	3000W	4000W	6000W
Heat Area	15m²/160 ft²	20m²/200ft²	15m²/160 ft²	20m²/200ft²	20m²/200ft²	6m² / 64.4ft²	3m² / 32.2ft²	up to 6m²/ up to 65ft²	up to 9m²/ up to 100ft²	up to 12m²/ up to 130ft²	up to 15m²/ up to 160ft²	up to 6m²/ up to 65ft²	up to 9m²/ up to 100ft²	up to 12m²/ up to 130ft²	up to 15m²/ up to 160ft²
Power Connection	240 Volt, 3-pin insulated plug / 110 Volt, 3-pin insulated plug				N/A	220-240V / 9.3 Amps	240V /6.5Amp	230 V / 8.3 A/ 220 V / 9 A	230 V / 12.5 A/ 220 V / 13.6 A	230 V / 16.6 A/ 220 V / 18.1A	230 V / 25 A/ 220 V / 27.2A	230 V / 8.3 A/ 220 V / 9 A	230 V / 12.5 A/ 220 V / 13.6 A	230 V / 16.6 A/ 220 V / 18.1A	230 V / 25 A/ 220 V / 27.2A
Minimum Mounting Height	Wall Mount: 2000mm/6'6" Ceiling Pole Mount: 2500mm / 8'2"				N/A	Ceiling Mounting - 2400mm / Wall Mounting - 1800mm Ceiling Mounting - 7'10"/ Wall Mounting - 5'10"	Ceiling Mounting - 2400mm / Wall Mounting - 1800mm Ceiling Mounting - 7'10"/ Wall Mounting - 5'10"								
Minimum distance to combustible materials	Side: 1100mm / 3'7" With Deflector Above (to ceiling): 1100mm / 3'7" Without Deflector Above (to ceiling): 350mm / 1'2"				Side: 1100mm / 3'7" With Deflector Above (to ceiling): 914mm / 36"	Side: 250mm / 9"	Side: 250mm / 9"	Short Side: 300mm / 12" Long Side: 300mm / 12"	Short Side: 300mm / 12" Long Side: 450mm / 18"	Short Side: 300mm / 12" Long Side: 300mm / 12"	Short Side: 300mm / 12" Long Side: 450mm / 18"				
Mounting Options	Wall Mounting Ceiling Pole Mounting				N/A	Ceiling Pole Mounting Wall Mounting Recessed	Ceiling Pole Mounting Wall Mounting Recessed	Ceiling Pole Mounting Wall Mounting Recessed				Ceiling Pole Mounting Wall Mounting			
Weight	12.5kg/33lb	16.5kg/40lb	14kg/33lb	18kg/40lb	56 Kg/123.5 lbs	7.5kg/ 16.5lb	6.2kg / 13.66lb	9kg/19.8lb	10kg/22lb	9kg/19.8lb	10kg/22lb	9kg/19.8lb	10kg/22lb	9kg/19.8lb	10kg/22lb

Due to the nature of the printing process, colors shown in illustrations and photographs may vary from the actual product. Bromic Heating reserves the right to change all drawings, figures and specifications without further notice. Check with your local government and state authority for applicable standards for installation and operation. All heaters must be installed by a licensed technician (gas and electric). Gas heaters must be installed in outdoor locations only.

**BROMIC**  
HEATING

BROMIC





#### **USA**

9th Floor, 8105 Irvine Center Drive  
Irvine, CA 92618 United States  
Call : 1 800 301 1293  
Web : [www.bromicheating.com](http://www.bromicheating.com)  
Email : [info@bromicheating.com](mailto:info@bromicheating.com)

#### **EUROPE - Warehouse**

Abel Tasmanstraat 41, 3165 AM  
Rotterdam, Netherlands  
Web : [www.bromicheating.co.uk](http://www.bromicheating.co.uk)  
Email : [info@bromicheating.com](mailto:info@bromicheating.com)

#### **AUSTRALIA & NZ**

10 Phiney Place, Ingleburn  
NSW 2565 Australia  
Call : 1300 276 642 / 0508 276 642 (NZ)  
+612 9426 5222 (intl)  
Fax : 1300 735 115  
Web : [www.bromicheating.com.au](http://www.bromicheating.com.au)  
Email : [info@bromicheating.com](mailto:info@bromicheating.com)

